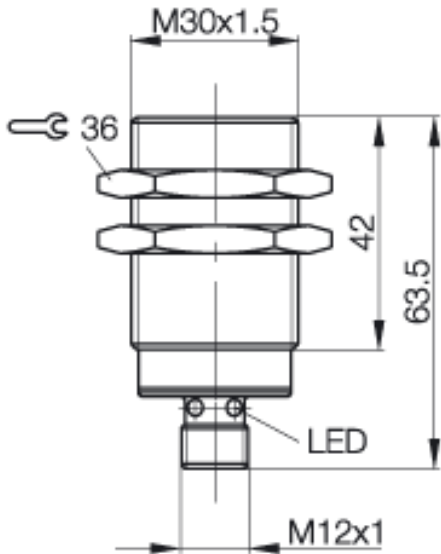


Inductive Sensors
BES M30EG1-PSC20Z-S04G-S11
M30x1.5 x 63.5
normally-open
Sn=20mm
quasi shielded
Pressure resistance in "P" area 40bar



PX2241

Common Data

Mounting in steel	quasi shielded
Rated operating distance Sn	20mm
Assured operating distance Sa	0...16mm
Repeatability R	≤ 5%
Hysteresis	≤ 15%
Function indication	yes
Ambient temperature range	-25...+70°C
Pollution Degree	3
Time delay before availability	≤ 35ms
Particular characteristics	Pressure resistance in "P" area 40bar

Mechanical Data

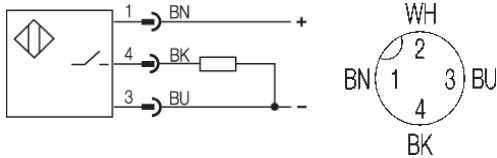
Measurements BxHxT or DxT	M30x1.5 x 63.5mm
Housing material	1.4305
Material of sensing face	1.4305
Degree of protection	IP67IP
Connection	Connector S4 (M12)
Schock: Halbsinus, 30 gn, 11ms	
Vibration: 55 Hz, 1mm Amplitude, 3 x 30 Minutes	

Electrical Data

Current type	DC
Wiring	3-Wire
switching function	normally-open
Output signal	PNP
Rated operational voltage	24 DCV
Rated operational current	200mA
Supply voltage	10...30 DCV
Ripple	≤ 15%
Rated supply frequency	DCHz
max. switching frequency	100Hz
No-load supply current	≤ 16/≤ 9mA
Off-state current	≤ 100µA
Voltage drop	≤ 2V
Short circuit protection	yes
Protected against polarity reversal	yes

Remarks

LED blinks in the range between 100% und approx. 70% from Sr
 When mounting in metals, the switching distance may be reduced up to 50%.
 Only mounting clamps without positive stop are permitted.
 See installation notes 841020 !



Utilization categories
 Insulation class

DC 13

Datasheet number:

Definitions see general catalog.
 If not otherwise noted, ratings according to IEC 60947-5-2 (DIN EN60947-5-2)

Balluff GmbH
 Schurwaldstrasse 9
 73765 Neuhausen a.d.F.
 Phone (07158) 173-0 Fax (07158) 5010

Datenblatt by CD-ROM - 04/2007

BALLUFF
 sensors worldwide